



APKITKP | COLOUR VIDEO DOOR ENTRY SYSTEM



USER MANUAL



www.espuk.com

Contents

System Components	3
Installation	4
System Connections Example 1	5
System Connections Example 2	6
Lock Connections Example 1	7
Lock Connections Example 2	7
Door Station Programming Guide	8
User Guide	10
Installer's Guide	11

System Cabling

All system cabling (excluding mains 240vAC supply) has been tested with Cat5E UTP PVC cable.



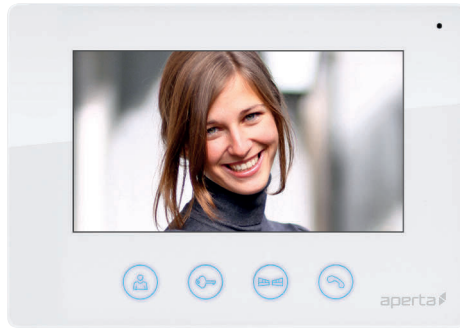
Part Number - A8NFORCE5EUTP

Find this product online:
elandcables.com | Cables & Accessories | LAN Cable | Cat 5E UTP PVC Cable

System Components



APDSSWKP
Door Station



APMONW
Monitor



APPOWSW
System Power Supply

Optional Accessories



EVBPSBB
Lock Power Supply



EV-EXIT
Push To Release



EV-EBG
Emergency Release



EV-ML-250/500XT
Electro-magnetic Lock

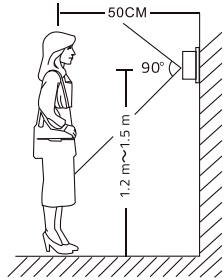


ENTERD
Electric Lock

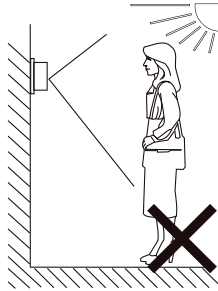
Installation



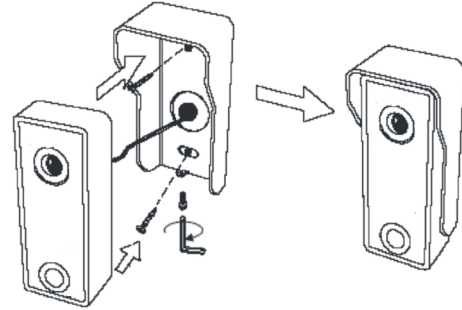
Site the door station a recommended 1.5 meters from the ground, or to suit application.



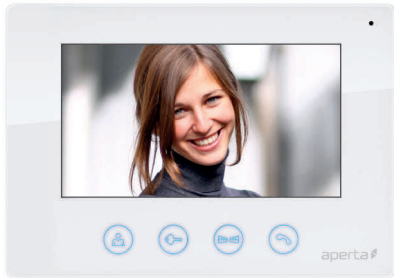
The camera needs to point in the direction of where a visitor will stand during operation.



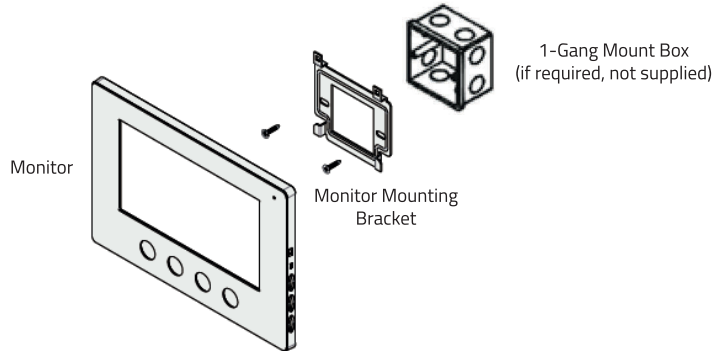
Avoid areas of high sunlight and noise levels.



Surface mount the sunshield of the door station and connect the system cabling. Mount the camera to the sunshield by fixing with the supplied hex screw.

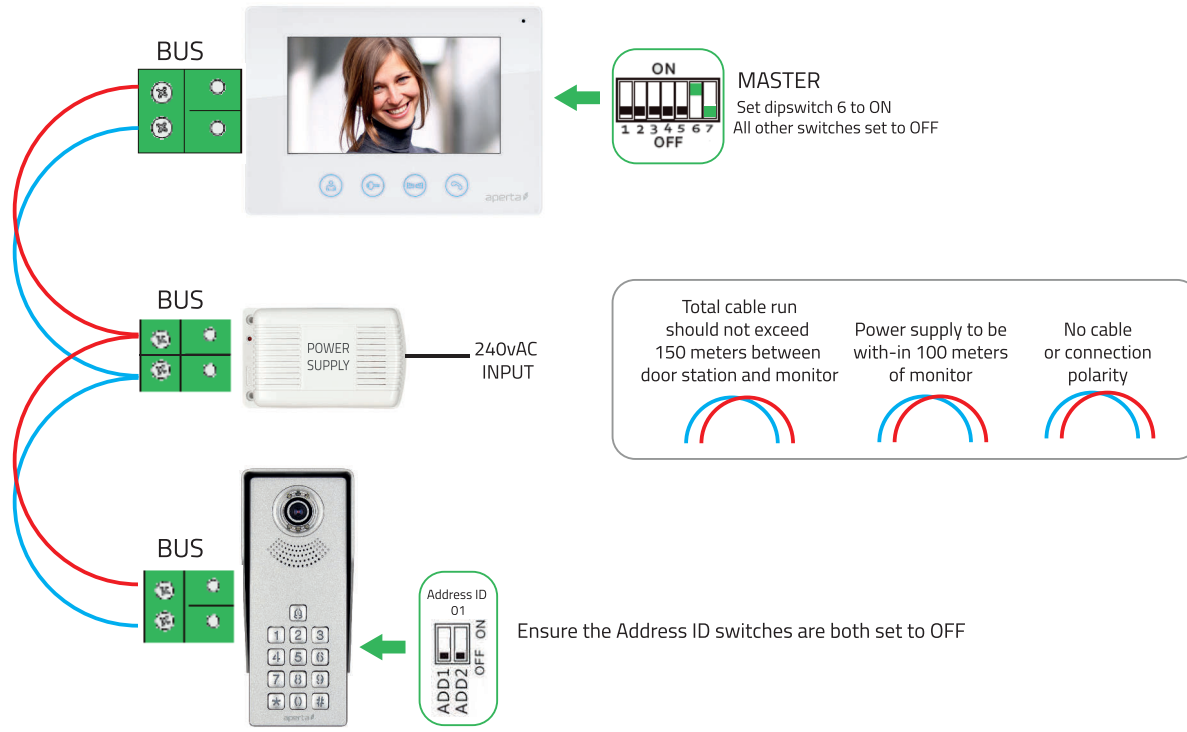


Site the indoor monitor to suit application.



Surface mount the bracket of the monitor or if required onto a 1-gang mount box (not supplied). Make the system connections to the back of the monitor and then slide the monitor onto the bracket using the hooks to hold firmly in place.


System Connections Example 1




System Connections Example 2

The system power supply can support up to 5 devices


Total cable run should not exceed 150 meters between door station and monitor



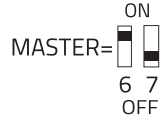
Power supply to be with-in 100 meters of monitor



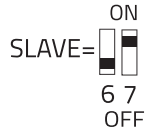
No cable or connection polarity



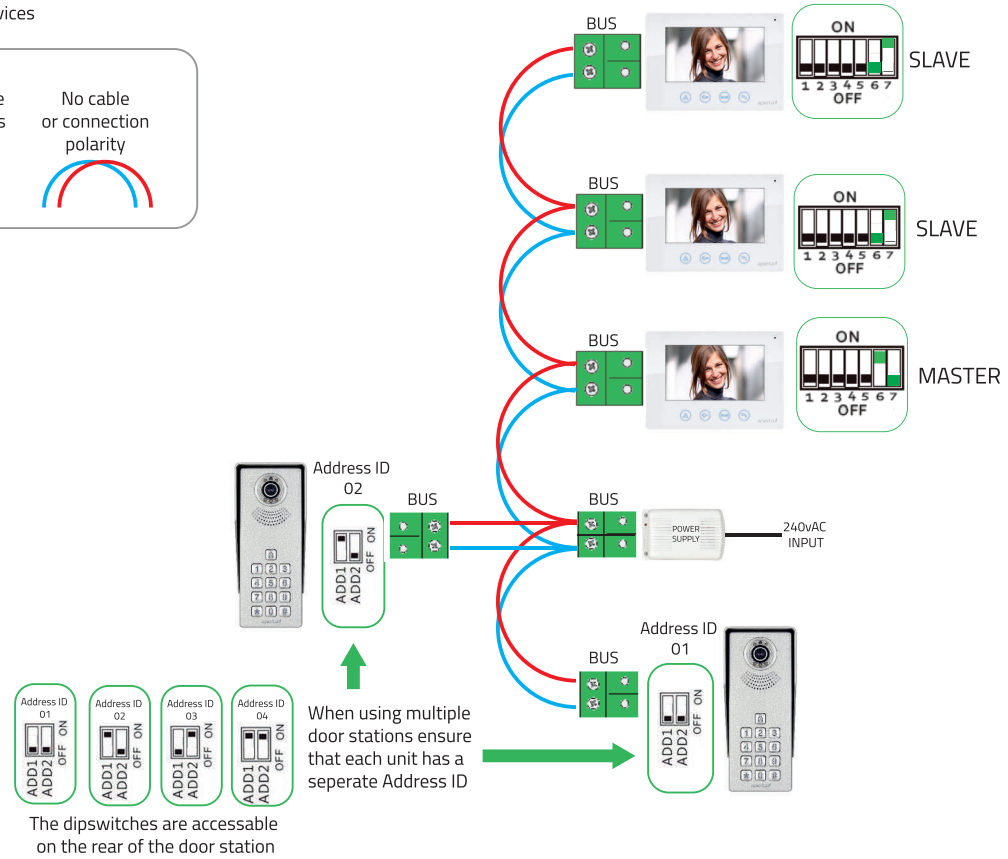
- 1 Only one monitor is set as the MASTER:



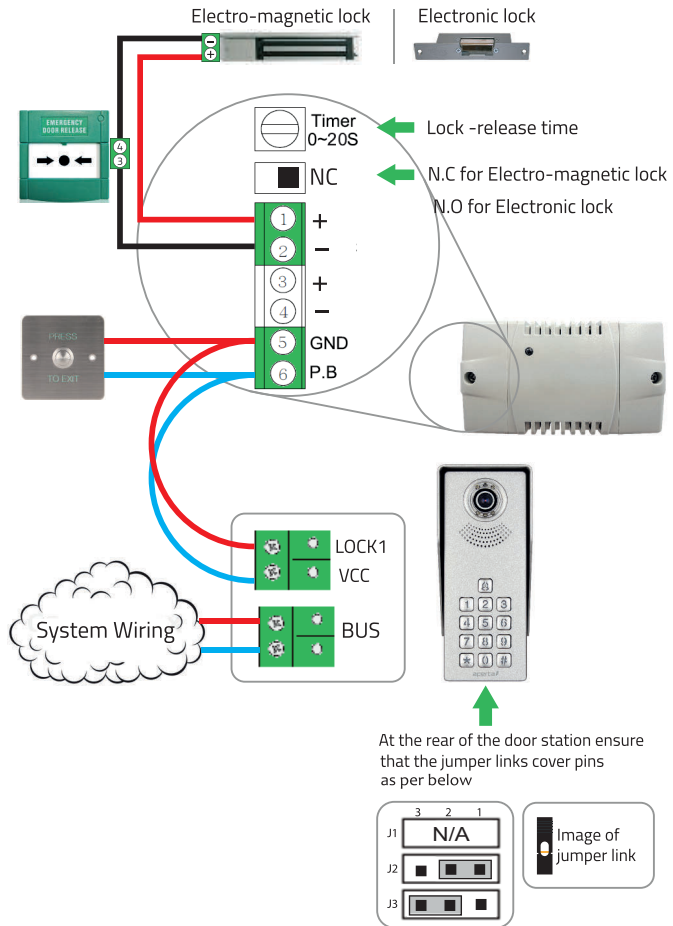
- 2 All other monitors set as SLAVE:



- 3 Refer to instructions supplied when using different version of monitor for MASTER/ SLAVE configuration

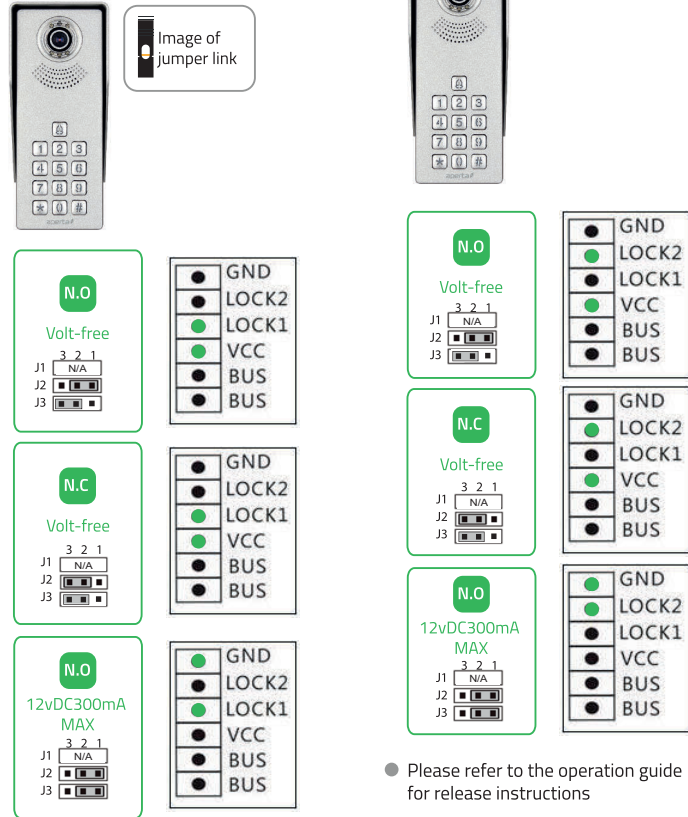


Lock Connections Example 1



Lock Connections Example 2

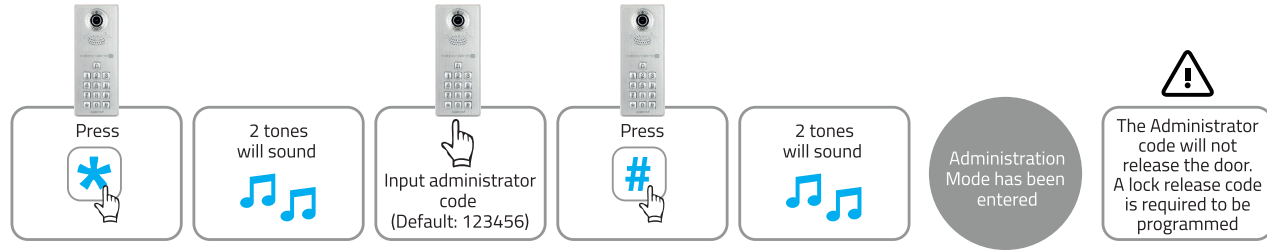
- The jumpers on the rear of the door station offer different types of release modes for alternative applications dependent on the jumper link settings. LOCK1 options;
- The door station has a secondary switch. LOCK2 options;



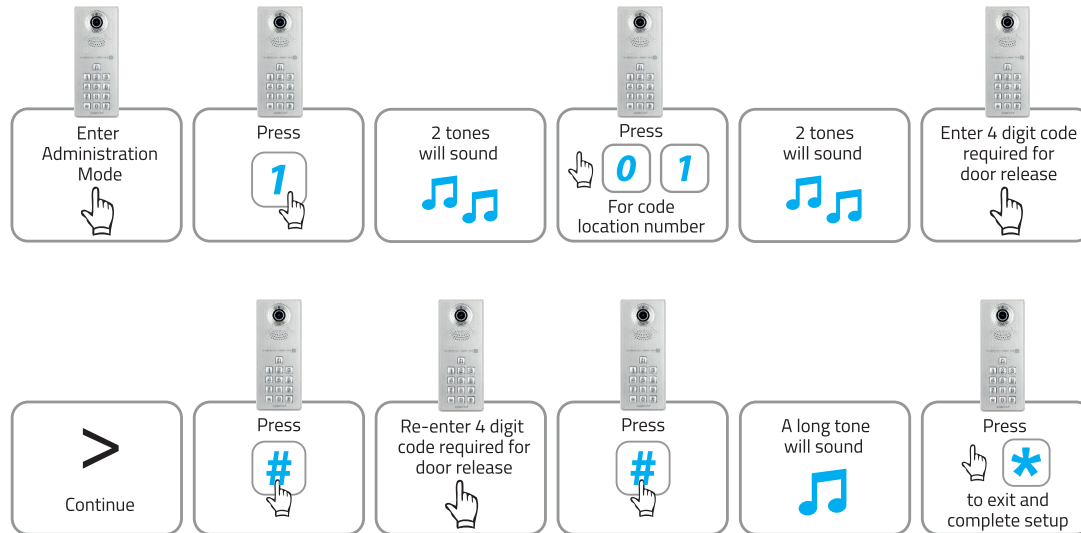
- Please refer to the operation guide for release instructions

Door Station Programming Guide

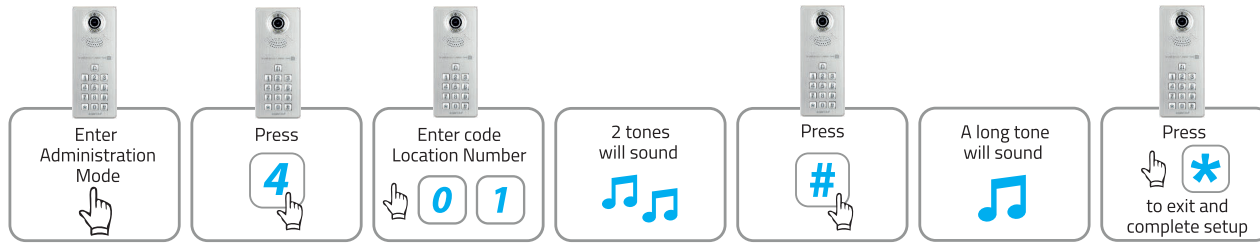
Entering Administration Mode



Setting a lock release code



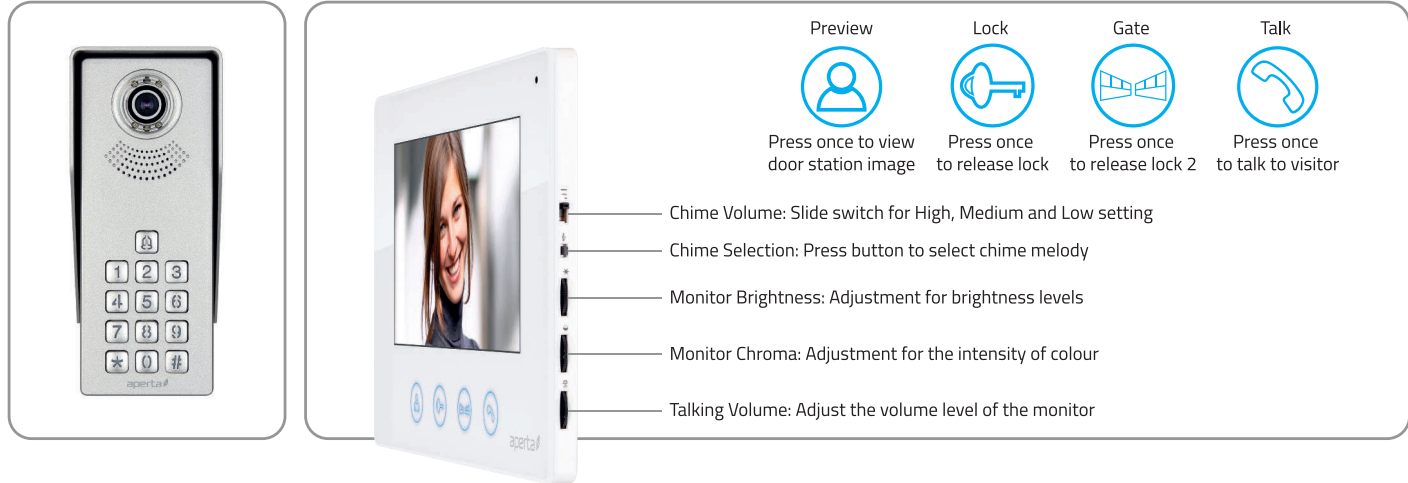
Deleting a lock release code



Changing the Administrator code



User Guide



Preview



Press once to view door station image

Lock



Press once to release lock

Gate



Press once to release lock 2

Talk



Press once to talk to visitor

Chime Volume: Slide switch for High, Medium and Low setting

Chime Selection: Press button to select chime melody

Monitor Brightness: Adjustment for brightness levels

Monitor Chroma: Adjustment for the intensity of colour

Talking Volume: Adjust the volume level of the monitor

A



The visitor presses the call button

B



A chime will sound

C



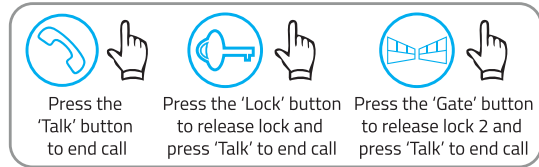
The visitor's image will appear on the monitor

D



Press the 'Talk' button and begin conversation

Then choose between these 3 options



Press the 'Talk' button to end call

Press the 'Lock' button to release lock and press 'Talk' to end call

Press the 'Gate' button to release lock 2 and press 'Talk' to end call

Using the lock release code



Enter 4 digit lock release code



Press

The lock will release

Installer's Guide

Master / Slave Setting

When using multiple monitors on 1 system;
Only the 1 handset set as the MASTER will display an image when the door station is activated.
All other monitors will ring, and will display the image once the 'Talk' button is pressed.

In the event of no video or audio signals coming from the monitor, or if the call button or audio cannot be activated on the door station, check the following;

- A That the system is powered sufficiently.
- B Each monitor needs to be set to a MASTER or SLAVE position
- C All system cabling is secured and properly connected.
- D All system cabling is clear of breaks or short circuits.
- E Bench test the system if the issue cannot be found.

In the event of a lock release issue, check the following;

- A The user instructions and operation of the monitor has been understood.
- B That the lock is powered sufficiently.
- C All system cabling is secured and properly connected.
- D All system cabling is clear of breaks or short circuits.
- E On the rear of the door station, ensure the lock output is switching when activated by the monitor.



Elite Security Products
Unit 7, Target Park, Shawbank Rd
Lakeside, Redditch B98 8YN



Telephone: 01527 51 51 50
Fax: 01527 51 51 43
email: info@espuk.com

E&OE - Errors and omissions excepted. A16

www.espuk.com

